

# Best Three View Drawing Award

## Winner



**#E01 Shizuoka Institute of Science and Technology**

## Second best

**#51 Prince of Songkla University**

## Third best

**#E21 Institute Technology Sepuluh Nopember**

※In this year, the completeness of the vehicle is not taken into account.



# #E01 Shizuoka Institute of Science and Technology



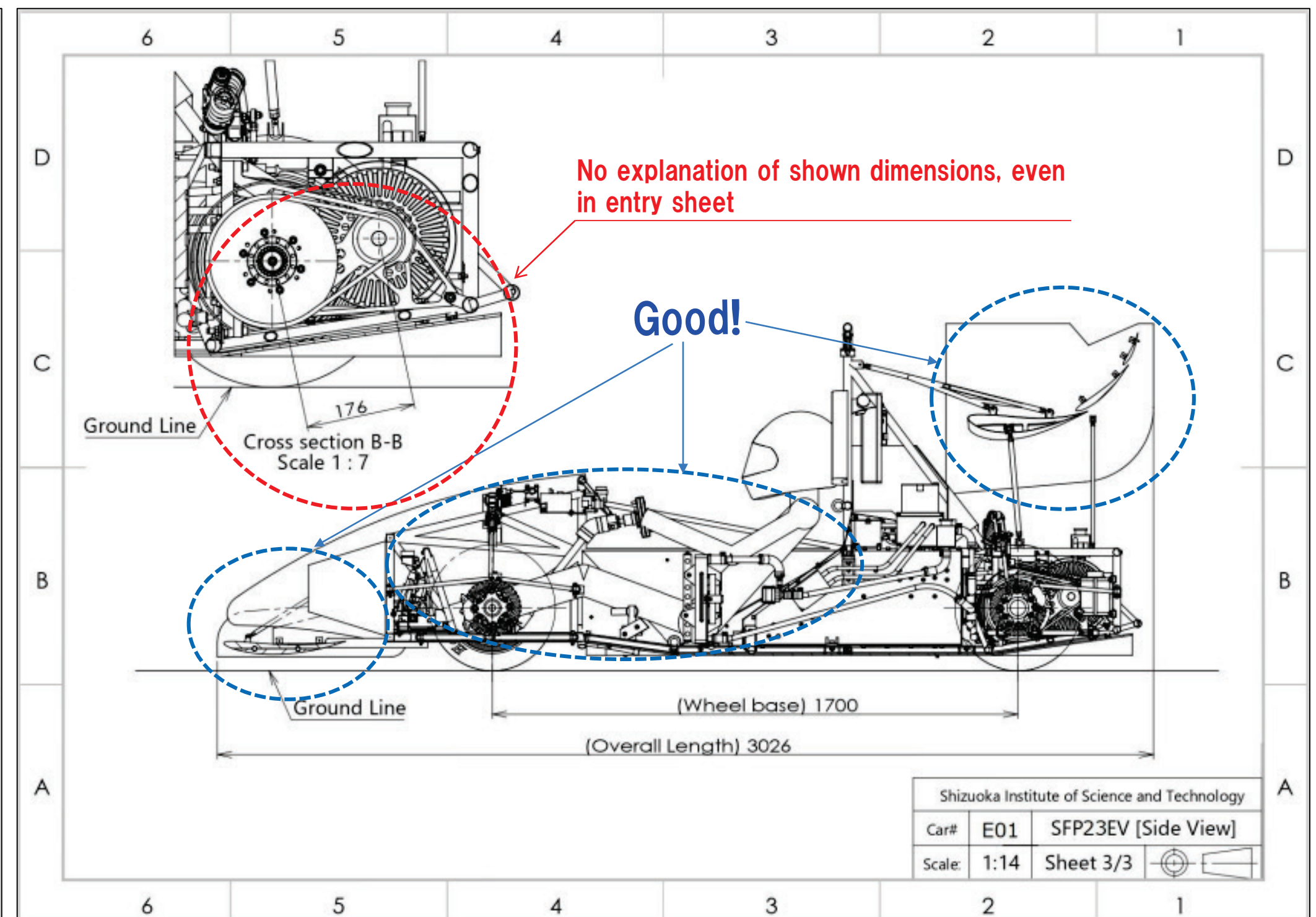
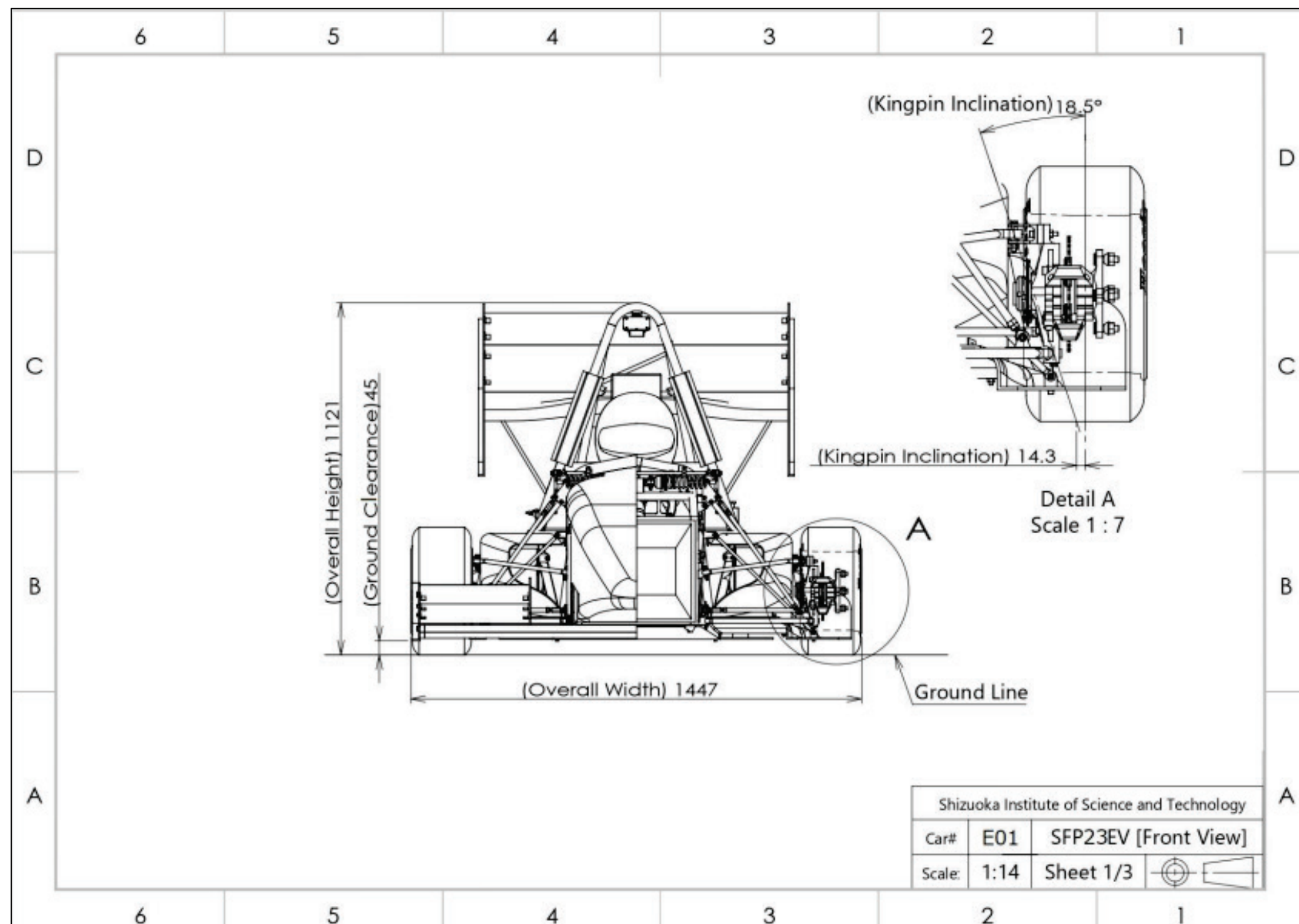
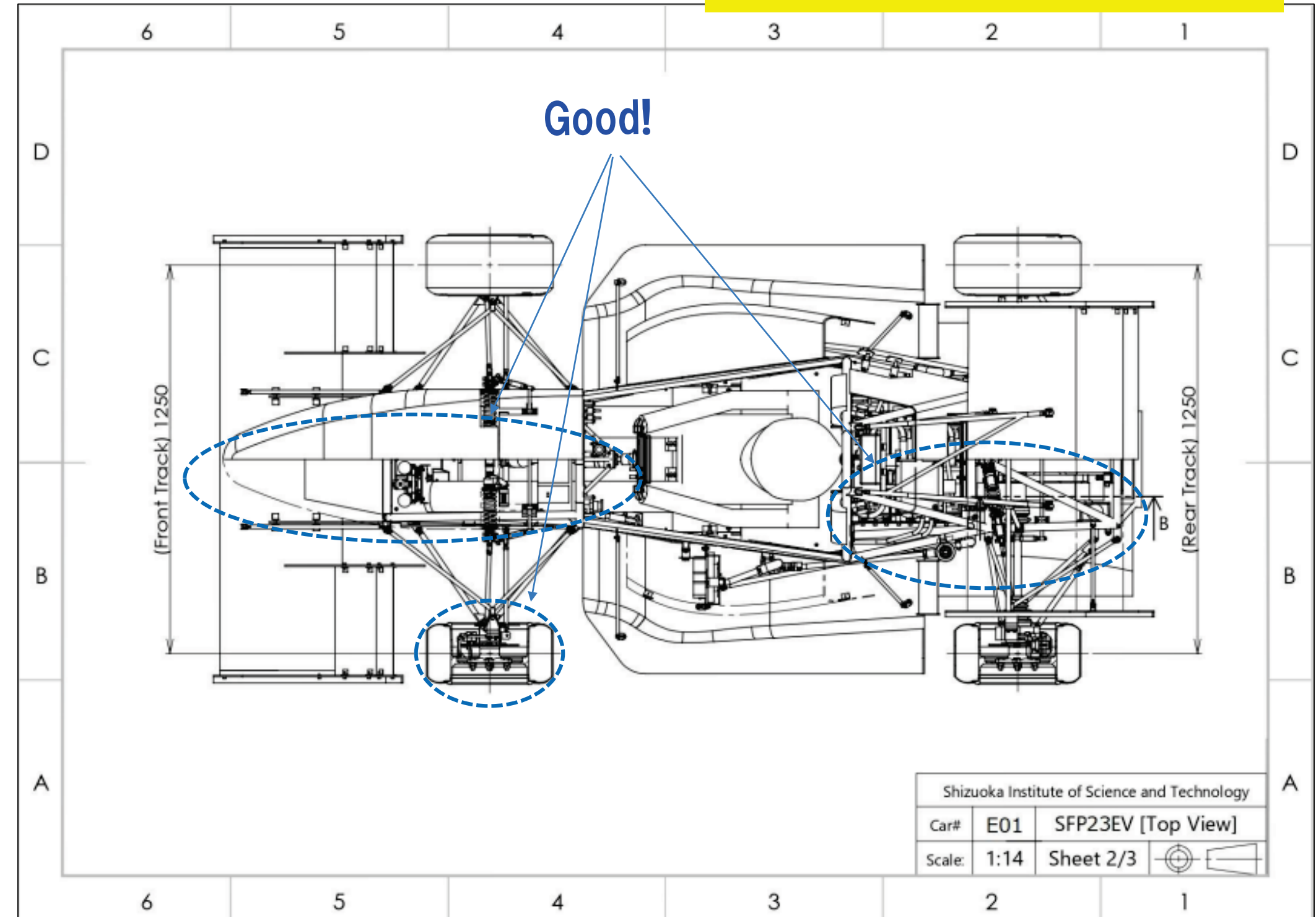
This drawing is the best.

## Noteworthy good points

- The best appearance of drawing
- Good usage of hidden lines
- Drawing wheel center lines

## For more improvement

- No explanation of shown dimensions, even in entry sheet
- Less dimensions related to ergonomics





# # 51 Prince of Songkla University



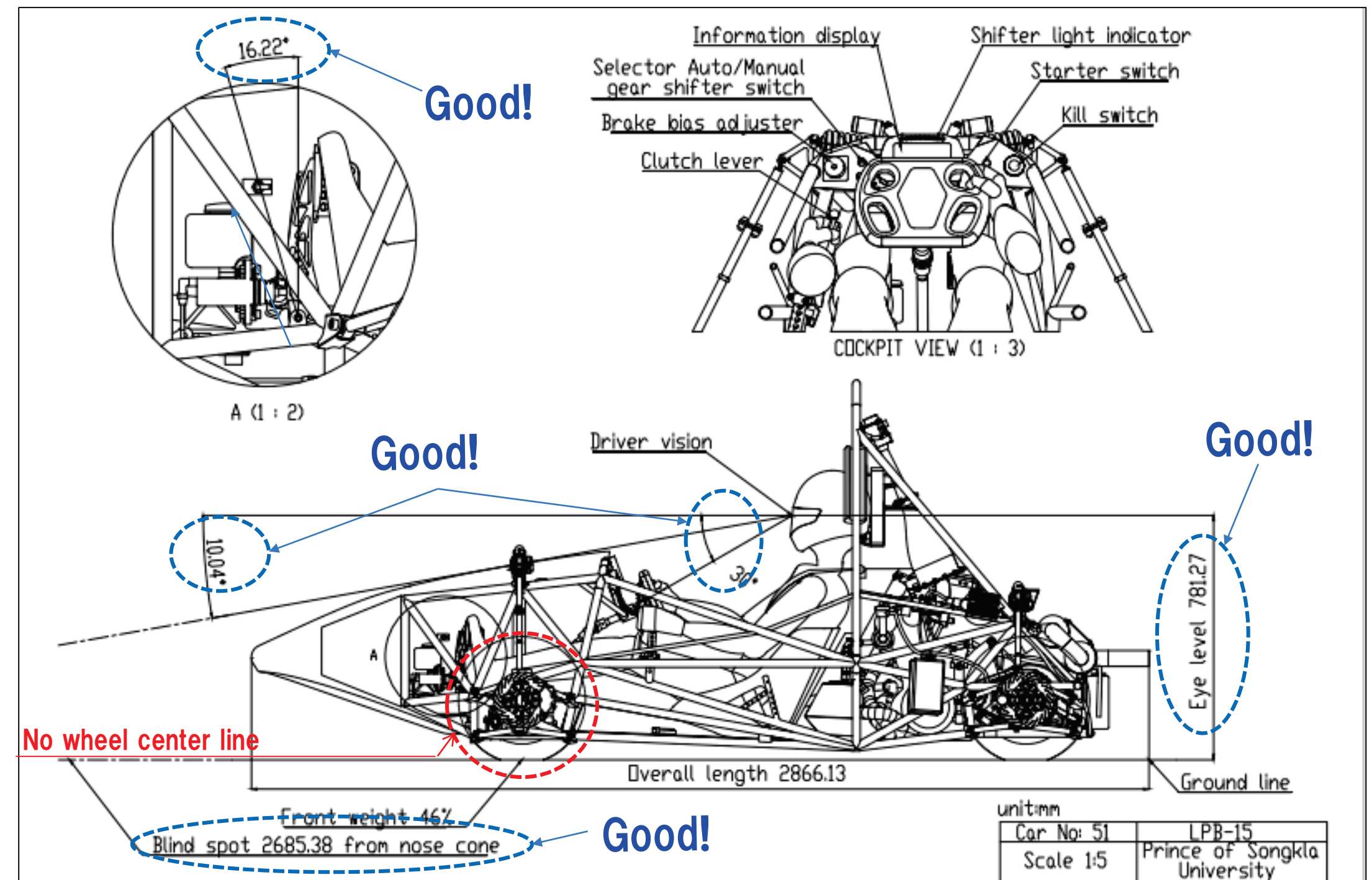
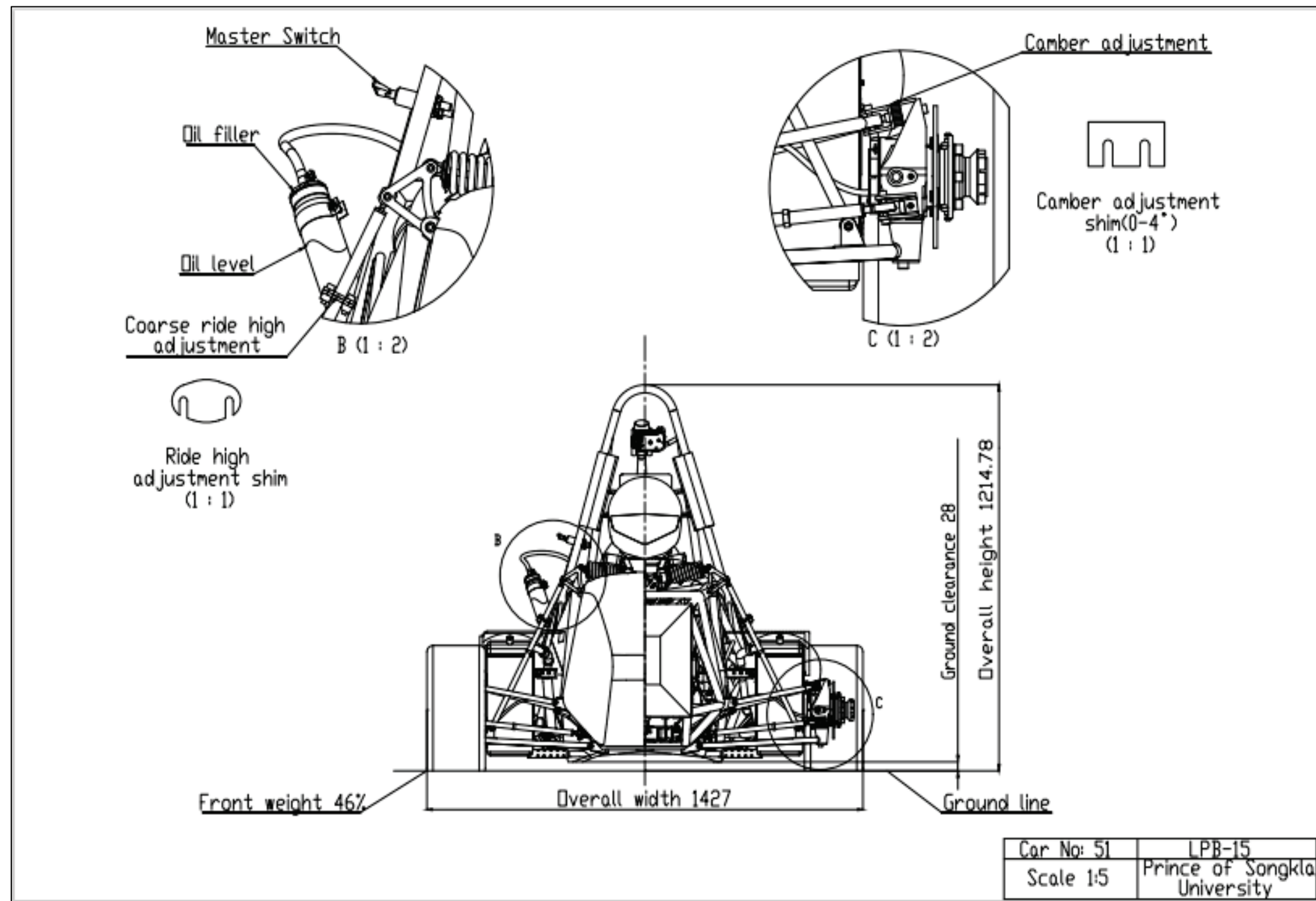
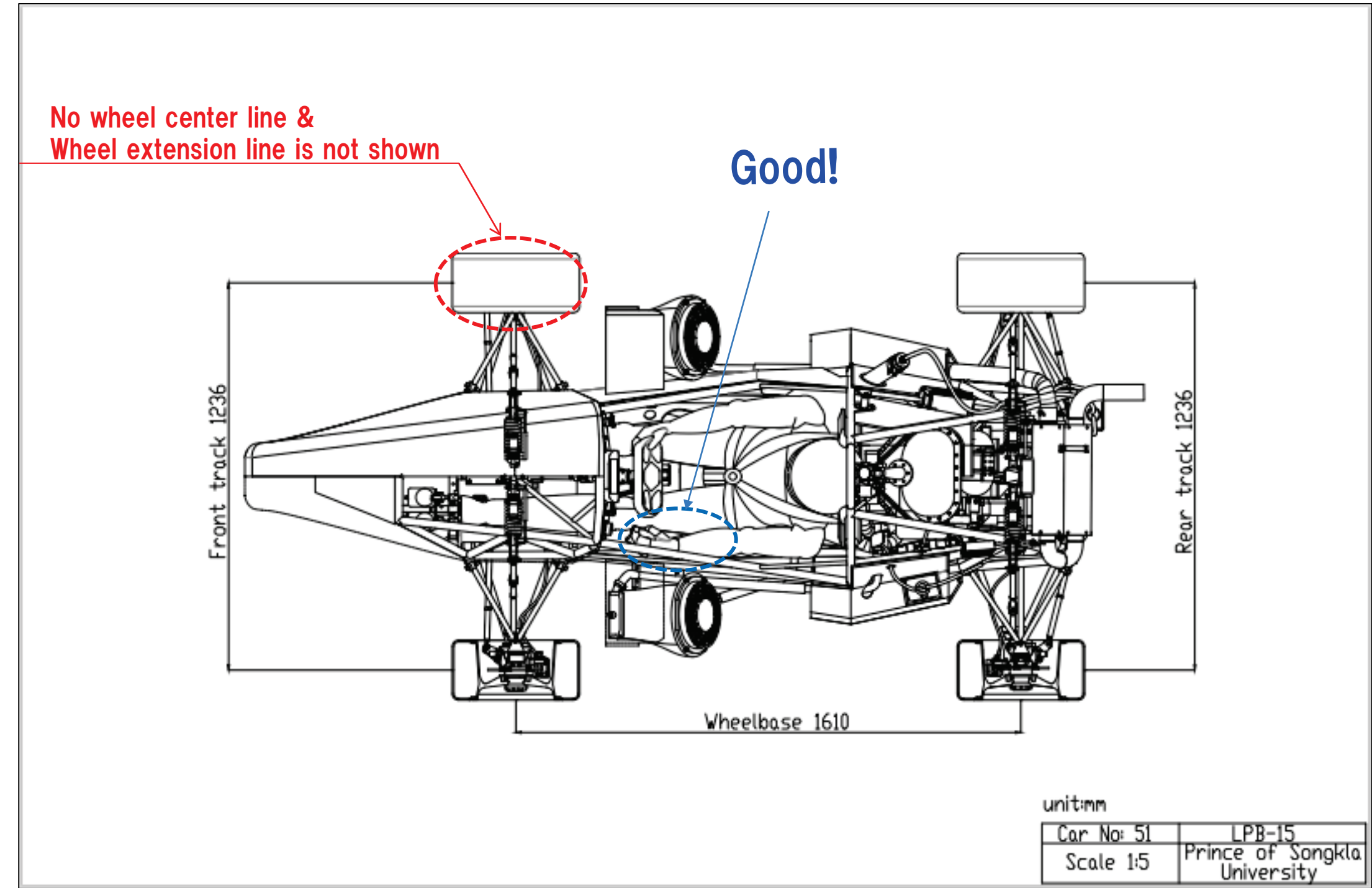
This drawing is second best

## Noteworthy good points

- Dimensions related to ergonomics
- Considering driver's shift operation

## For more improvement

- No wheel center line
- Wheel extension line is not shown







This drawing is third best

Noteworthy good points

- Dimensions related to ergonomics

For more improvement

- No wheel center line
- Wheel extension line is not shown
- Difficult to understand internal configuration

